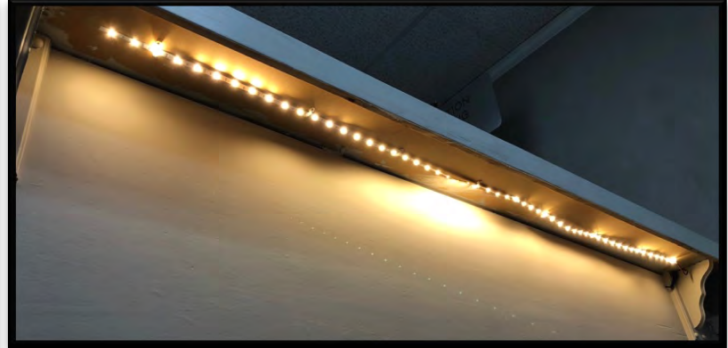
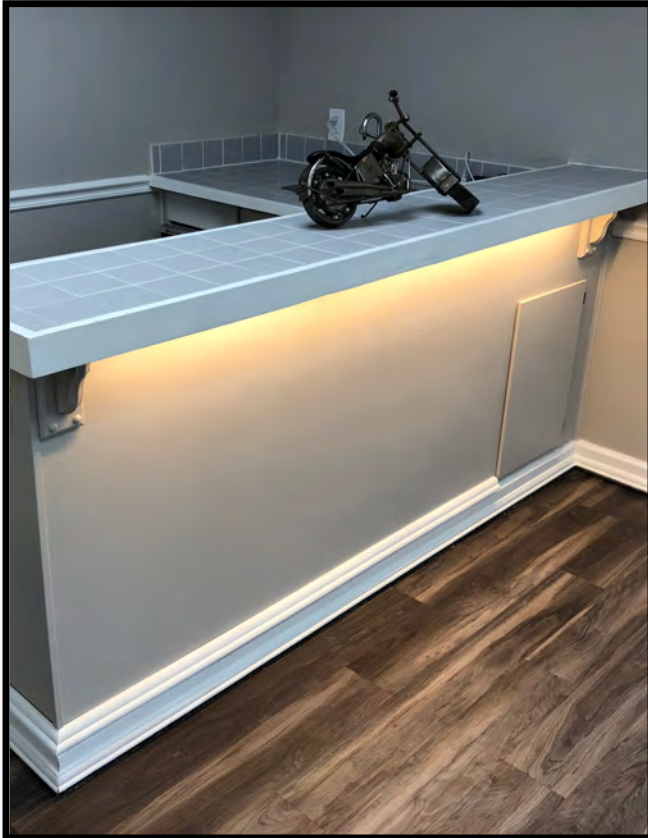


Under Cabinet Series



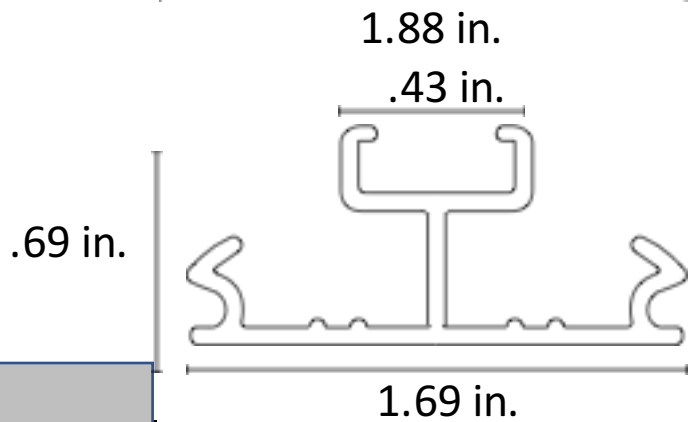
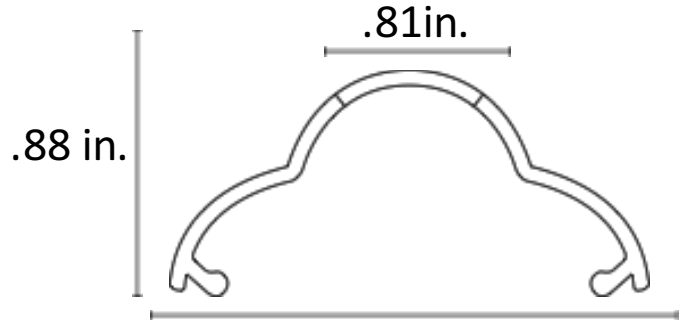
Before & After



The LumaTrax Under Cabinet Series lighting channel reduces the time and complexity required to install under-cabinet lighting with patented features for both indoor and outdoor use. Designed to hold an 8 and 10mm LED strip/tape, the channel provides a custom “fixture” aesthetic that holds any LED tape and wires in place.

- Customizable On Site – “Cut to Size”
- Tape Provided for No-Penetration Installation
- Integrated Wire Management
 - Conceal Connectors
- Allows for Continuous Lighting Around Corners
- Finished “Custom Fixture” Appearance
- Simple and Quick Installation
- UV Stable

Under Cabinet Series



Lighting Enclosures			
Model #	Length	Part	Color
IL -DV - 4 -CVR -48-WH	48 Inches	Mounting Cover	White
IL -DV - 4 -CVR -48- TN	48 Inches	Mounting Cover	Tan
IL -DV - 4 -CVR -48- BR	48 Inches	Mounting Cover	Dark Brown
IL -DV - 4 -CVR -48- GR	48 Inches	Mounting Cover	Gray
IL-DV-4-Base	48 Inches	Channel Base	White

Specifications

Diffused	No
Dimensions	1.88 x 0.88 x 48 in (W x H x L)
Field Cuttable Channel	Yes
Environment	Indoor/Outdoor Wet Location IP65
Warranty	5 years

Channel Cover Available In:



Project	Catalog	Approved by