

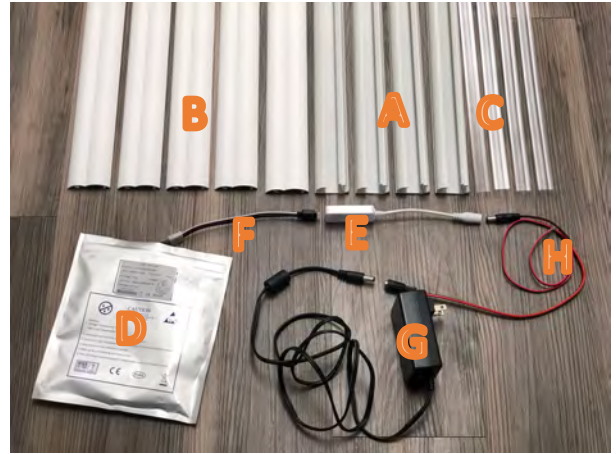
Installation Instructions and Product Manual

WARNING

These products may present a possible shock or fire hazard if improperly installed. Products should be installed in accordance with these instructions and current electrical codes.

Use only included 24V DC driver. Factory warranty will be void if used with any other power supply.

Make sure the electrical power is disconnected to the system during installation or servicing.



Contents

16' Solution

Part # LT-LK-IT-16

(A)Base Part – 4' Sections	4
(B)Cover Part – 4' Sections	5
(C) Lens Part – 4' Sections	4
(D)RGBW LED Lighting – 16'	1
(E) Wireless Mesh Controller	1
(F)RGBW Splitter	1
LED Strip to Strip Connect	1
(G)60w 24V Power Supply	1
(H)20' Power Extension	1

Also Available

16' Add-On Kit

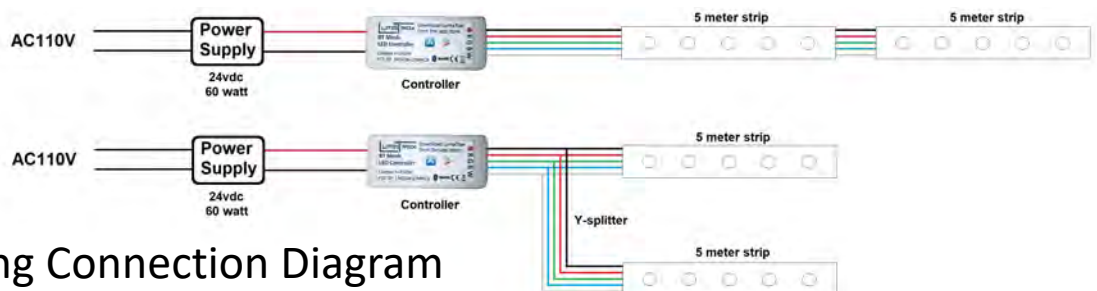
Part # LT-IT-AO-16

(A)Base Part – 4' Sections	4
(B)Cover Part – 4' Sections	5
(C) Lens Part – 4' Sections	4
(D)RGBW LED Lighting – 16'	1
LED Strip to Strip Connect	1

64' Solution

Part # LT-LK-IT-64

(A)Base Part – 4' Sections	16
(B)Cover Part – 4' Sections	18
(C) Lens Part – 4' Sections	4
(C)RGBW LED Lighting – 16'	4
(D)Wireless Mesh Controller	1
(E)RGBW Splitter	1
LED Strip to Strip Connect	2
(F)96W 24V Power Supply	1
(G)20' Power Extension	1



Lighting Connection Diagram

SAFETY INFORMATION:

- Read all installation instructions before beginning and contact a qualified electrician if required.
- Do not operate the LED lighting while it is still coiled or in the reel.
- The LED lighting is rated for indoor use only and should not be operated in damp or wet conditions.
- Do not use if there is damage to the LED lighting or power cord insulation; inspect periodically.
- Do not secure the LED lighting with staples or screws. Secure the lighting with the attached adhesive strip.
- Use only the power supply provided in an indoor dry location.
- The power supply allows for a maximum of 32.8 feet (10m) of LumaTrax LED lighting.

Tools Required:

- Drywall Screws (3 per 4' Base) or 3M Double Sided Tape
- Power Screw Driver
- Miter Box with Saw or Ratcheting PVC Cutter
- Calk and/or Paint (Optional/As Desired)



You can also visit <https://vimeo.com/320858358> for an instructional video.

Step 1. Select an AC Outlet and Install the Power Supply

Plug the power supply into an AC outlet.

Tip: Select an AC outlet where the power supply can be hidden behind a piece of furniture for example.

Step 2. Determine Controller Location and Method to Run Power Cable to the Controller Location

The Controller should be installed inside the base part at the start of the lighting. There are two basic ways to run the power cable:

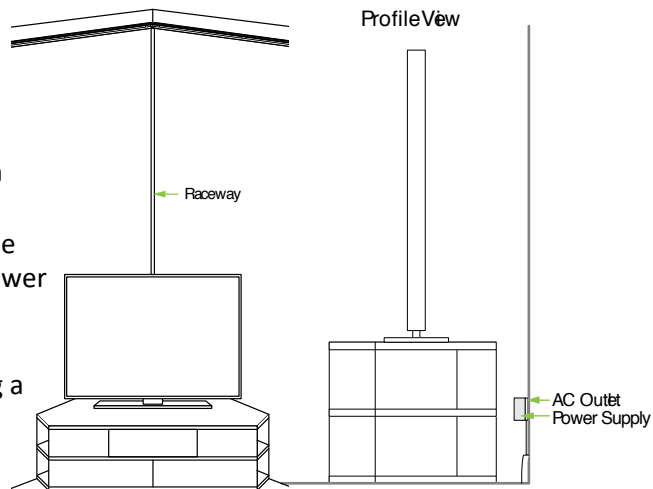
- Purchase a corner raceway such as Legrand Wiremold CornerMate to conceal the power cable to the ceiling along a corner of the room.
- Fish the power cable behind the drywall to make cable invisible as follows.

- Cut a single gang hole on the dry wall and install a wall plate.

Tip: Select an inner wall rather than an exterior wall of the home.

- Directly above the cut out, drill a one-inch hole where the Base is installed, and using the included 20' power extension cable, fish the power cable behind the wall.

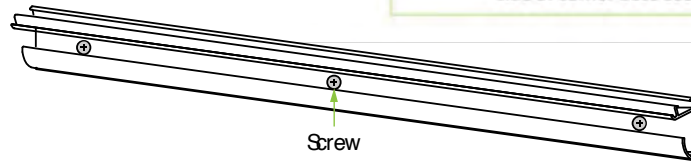
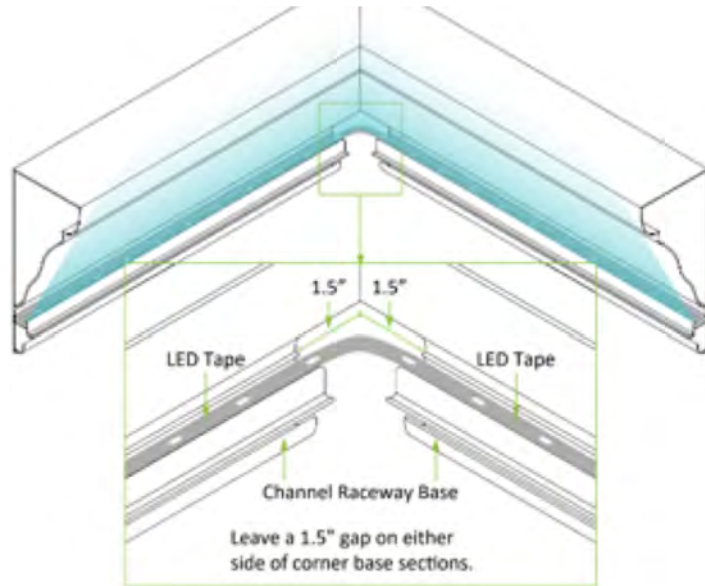
Tip: To learn how to fish cable behind walls, refer to instructional videos available in the internet.



Step 3. Install the Base

Use 3 drywall screws per each 4' section or secure the base using 3M double sided tape. Leave a gap between base parts for the power cable and leave a 1.5 - 2" gap in base at corners to allow LED strip lights to go around corners without tension on the light strip. Otherwise, base parts should be installed end-to-end and can be cut to length.

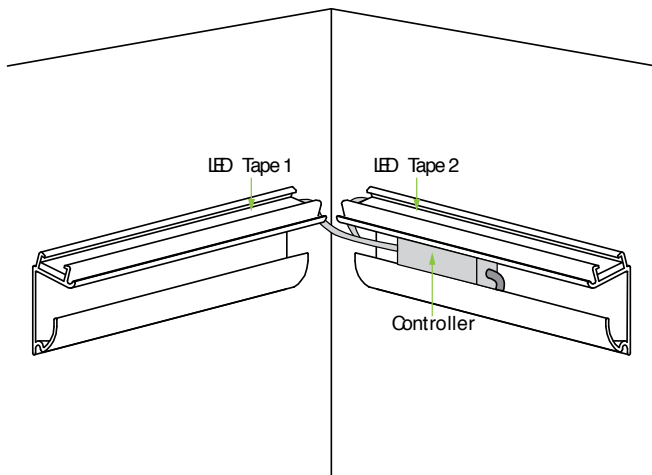
Tip: For cove lighting, we recommend to place the Base approx. 4" from the ceiling when no crown molding is existing. Otherwise, place the base directly below the crown molding or above floorboards when using the product for floor lighting.



Step 4. Connect the Controller and Power Supply

Place the LED controller in the base and connect the power cable from the power supply using the 20' power extender as needed. Excess cable should be left in the base which the cover will conceal in step 7 below.

IMPORTANT! Unplug power during the remainder of the installation.



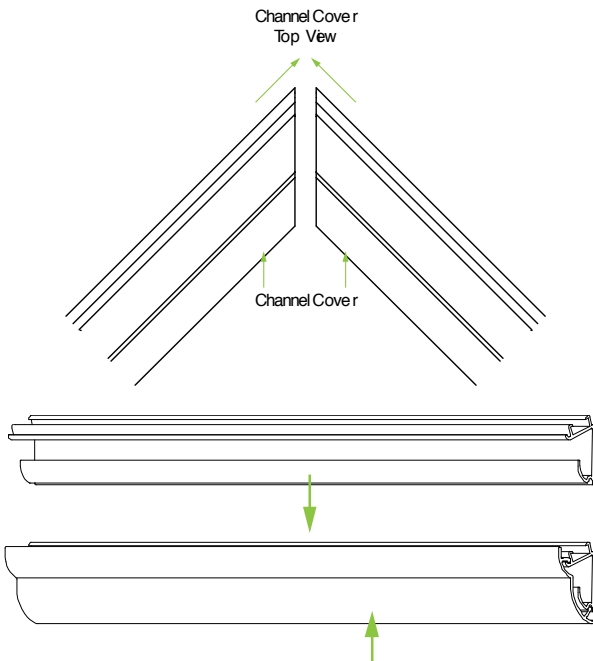
Step 5. Connect the Controller and LED Lighting

Clamp the RGBW splitter to the LED strip(s) being careful to match the "24V" on the LED Strip to the "black" cable input. Install approx. 3 feet of the LED strip(s) (see step 6) and then adjust the position of the controller to receive the single end of the RGBW splitter, and connect.

Tip: When able, start the lighting placement in a corner especially when connecting multiple LED Strips.

Step 6. Install LED Strip Lights

Remove the adhesive protector from the back of the LED strip lights and press the lighting into the LED channel, lights facing upward. The LED strips can be cut to length using cut points every 4 inches.

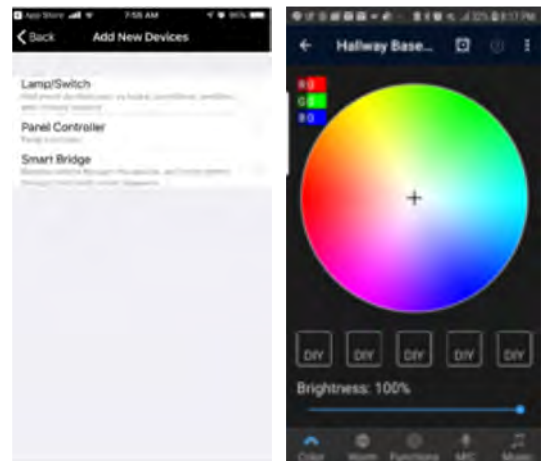


Step 7. Install the LumaTrax Cover to the Base

Snap the covers onto the base by hooking the connection nearest the lighting and apply pressure until securely in place. Install covers at corners first using a miter box saw to cut two opposite **45° degree angles** so the covers mate cleanly, then install covers on the remaining exposed base cutting covers as required. Tip: When cutting the cover, attach the cover to a base part to achieve the correct angle.

Step 8. Download the LumaTrax App

Download LumaTrax app from your iOS or Android App Store. Follow the LumaTrax app prompts to register and name your controller. You will then come to the screen to the right. Select **“Lamp/Switch”** to add your controller. Begin control of your lighting.



Step 9. Final Cosmetic Touches

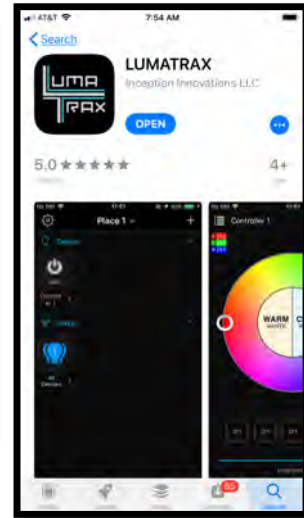
Once all functions have been checked, caulk and visible gaps on the covers such as corners and gaps between the LumaTrax Covers. For best results, paint the Covers to match existing crown molding colors or wall colors.

Enjoy Your Lighting!

For Product Support, Please Contact support@inception1.com or contact product support at the number below.

Download the LumaTrax App and Create an Account

1. Download LumaTrax app from your iOS or Android App Store.
2. “Create an Account” for access to all of the App features including shared control with multiple users and cloud-based control or “Create a Place”
 Tip: A general e-mail, such as sales@... can be shared when multiple places will be created and controlled within an organization.



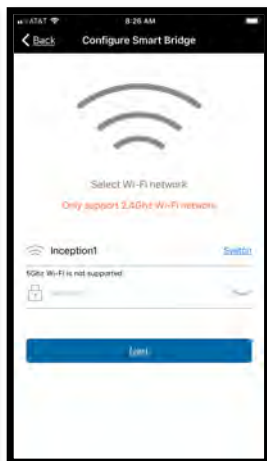
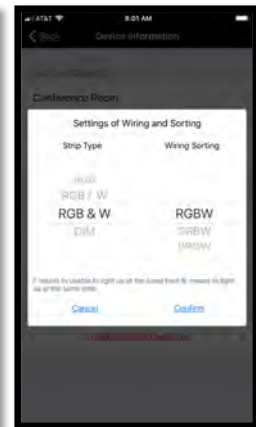
Adding and Managing Users

Control of “Places” can be shared with multiple account holders where “Admin” and “Viewer” permissions can be given. Those with “Admin” control can add controllers and add other users to the “Place.”

1. Within “Place Settings” in the “Settings” menu, select the “Place” to be shared.
2. Select “Share Control” then enter the users e-mail associated with their LumaTrax account.
3. Select either “Administrator” or “Viewer” and select “OK”. An e-mail notice will be sent to the user and the next time the user logs into the App, they will be prompted to “Accept” the shared “Place.”

Setting-Up A New Controller

1. Within the desired “Place”, select the “+” and select “Add New Devices”
2. When prompted, name the controller, select “Lamp/Switch” and select “RGB & W” and “RGBW” (see right)



Setting-Up An Optional LumaTrax Wi-Fi Bridge

Optional LumaTrax Wi-Fi bridge allows access to controlling lights from a remote location as well as controlling lights by voice with Amazon Alexa or Google Home. One WiFi Bridge can be added to each location

1. Press the button on the Wi-Fi Bridge and select “Confirm Light Flashes Slowly” in the App
2. Enter your Wi-Fi password and select “Next”

Basic White and Color (RGB) Control

Both RGB and the White can be combined to achieve maximum brightness.

To achieve a true 3000k White, the RGB should be set to 0% brightness.

To achieve a true color with RGB, the White should be set to 0% brightness.

Scheduling

1. Select the alarm clock symbol on the header of the App
2. Select “Add Timer”
3. Select a start time, days of the week to repeat, an Action (on/off/color) and a duration
4. Repeat steps 1 thru 3.

Audio, Music & Camera Controllability

Select the appropriate tab for each of these options and follow the simple prompts to access each of these features.

Google Home and Alexa Integration

Requires optional LumaTrax Smart Bridge. See Smart Bridge instructions for details.

FAQ

I’m having trouble adding smart devices to the app. What can I do? Make sure you have power and are within range of the smart device (50’ for setup). Make sure Bluetooth is powered on in your phone. Ensure the device is in 'bright up and fade gradually' mode. If not, please do a factory reset. Try to restart the smart device. Try to restart your phone. Lastly, do a factory reset on the device.

What is the range for controlling the smart devices?

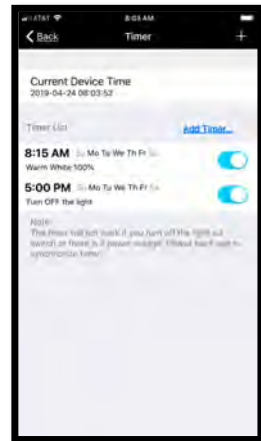
Up to 200’ range with line of sight. Performance will vary based on physical barriers and smart device placement. The smart devices can “mesh” together, effectively extending the control range. So if you are within range of one smart device, you can control other smart devices that are further away as long as the smart devices are with range of each other, a bit like a daisy chain.

Why does my smart device show offline?

Make sure the device is powered on. Make sure the device has not been reset factory defaults. Make sure your device is in controllable distance between smart devices. Lastly, restore the factory settings and re-add the device in App.

Can multiple users control the same set of smart devices? Yes. You and other people you share control with can log into the app on multiple devices and control the same set of smart devices.

Can I log into the app on multiple devices? Yes, you can install the app and log in using the same account on multiple devices.



Can I share the app with other people? Yes. Before you share with them, the person who you are sharing with will need to download the app and create an account. From the app’s home>”+”>Share Control

What is the maximum number of smart devices can control with the app?

Up to 64 devices in each control place. Individual performance will vary based on home construction and smart device placement. If you want to control more than 64 devices, please create additional places to add up to 64 additional devices.

How do you reset a controller?

Manually power off the device (10 seconds). Manually power on the device (2 seconds). Repeat step 1 and 2 three times. Then, manually power off the device for 10 seconds. Manually power on the device for 10 seconds. Repeat step 3 and 4 two times. Finally, manually power off the device for 10 seconds then manually power on the device. You will see the lights flashing three times and then change to 'bright up and fade gradually' mode, then reset has been successful.