



Patented Lighting Channels



INCEPTION
INNOVATIONS



Why LumaTrax?:

LumaTrax Lighting Channels are MADE IN USA, patented and offer features, quality and functionality not found in any other lighting channels. Offered in three series of channels, LumaTrax lighting channels are non-metallic and result in significant savings on material cost and reduction in installation time compared to typical aluminum channels. Why pay for metal channels when LED lighting doesn't require external heat sinks?

TRIM SERIES

Description:

LumaTrax Trim Series can be used above baseboards, below crown molding or used on its own as a wall wash. LumaTrax Trim Series "creates the lighting location" which allows for lighting to be offered in more locations while avoiding the high cost of drywall and electrical work of fabricating a cove for the lighting. The three-piece design neatly diffuses LED lighting, eliminates hot spots, hides any additional wires and cables, and supports clean mitered corners.

Mounting:

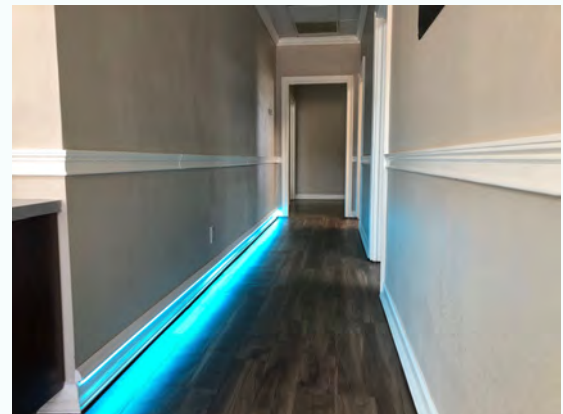
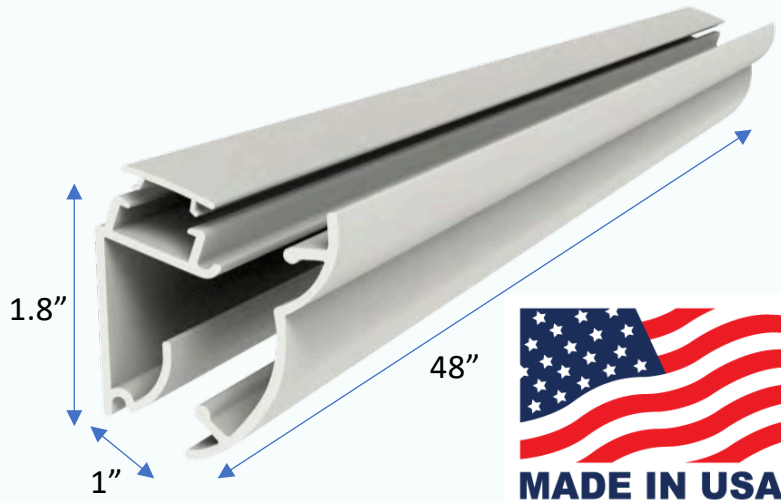
LumaTrax trim is surface mounted with tape or screws and both the lighting and LumaTrax channel can be easily cut to fit any location.

Features:

- Surface Mounted & Paintable
- Trim Appearance
- Integrated Wire Management
- 3M Adhesive Backing
- Clean Mitered Corners

Technical:

- Compartment for Wires and Cables
- PVC Base and Cover
- Polycarbonate Frosted Lens
- 48" Length, 1" Depth & 1.8" Height



Specialty Lighting

US Patent # 10,180,202 & # 9,989,206

U.S. Pat. No. 10,180,202

817.738.4583 x1188

www.inceptionlighting.com

"U" CHANNEL SERIES

Description:

LumaTrax "U" Channel Series is the ultimate substitute for standard aluminum lighting channel in order to increase profits and reduce labor for lighting under cabinets, bars and in coves. LumaTrax "U" Channel will ensure consistent light placement, eliminate hot spots with the diffused lens and protect the lighting from dust buildup, accidental contact or splashing of water and simplifies any LED strip light installation.

Mounting:

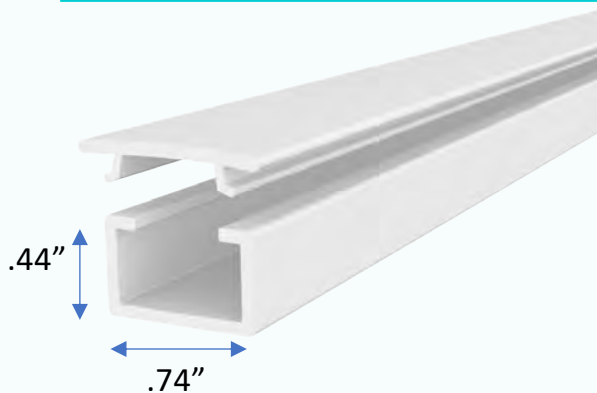
LumaTrax "U" Channel is surface mounted with tape or screws.

Features:

- Surface Mounted & Paintable
- 3M Adhesive Backing
- Diffused Frosted Lens
- Bendable – Up To 12" Radius
- Cut to Size on Site
- Use With LED Strips Up to 14mm

TECHNICAL:

- PVC Base
- Polycarbonate Frosted Lens
- 48" Length, .7" Width & .5" Height



OUTDOOR SERIES

Description:

LumaTrax Outdoor Series is UV stable and designed to stand up to the harshest conditions so it will never fade or yellow and stocked in four standard colors. Originally developed for the Inception Lighting System with over 200,000' sold and now available for other linear lighting applications.

Mounting:

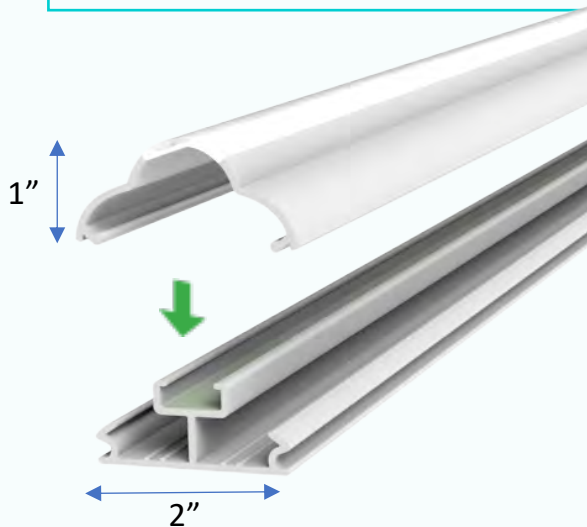
LumaTrax trim is surface mounted with tape or screws and both the lighting and LumaTrax channel can be easily cut to fit any location.

Features:

- Surface Mounted
- 3M VHB Adhesive Backing
- Trim Appearance
- Integrated Wire Management
- Cut to Size On Site
- Use With LED Strips Up to 12mm

TECHNICAL:

- Vinyl Base
- Acrylic Cover/Lens
- 48" Length, 2" Width & 1" Height
- Covers Are Available in Dark Brown, White and Tan





Innovative Linear Lighting



Trim Series



"U" Channel Series



Outdoor Series



www.inception1.com
sales@inception1.com
© 2019 Inception Innovations LLC

1025 S Main Street #303
Grapevine, TX 76051
877.733.4550